



MODEL
D500M

PORTABLE BEAM SCALE

**ASSEMBLY MANUAL AND
OPERATING INSTRUCTIONS**

INDEX

I. DESCRIPTION.....04

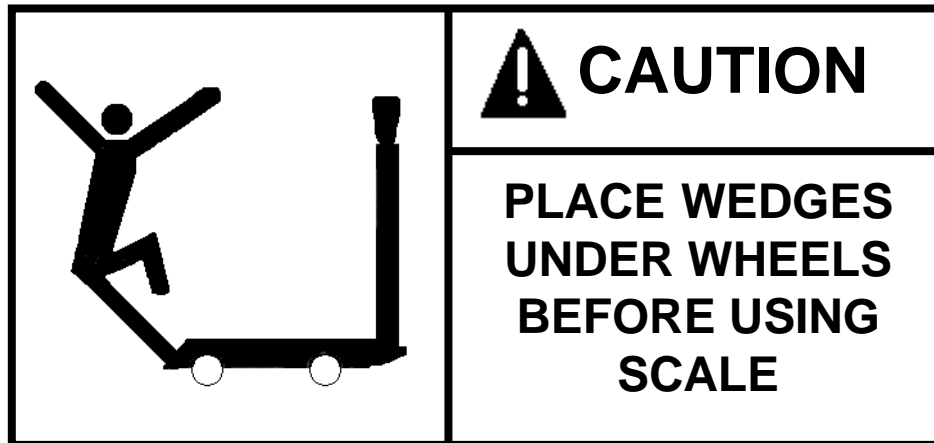
II. SPECIFICATIONS..... 04

III. ASSEMBLY/INSTALLATION..... 06

IV. SHIFT..... 08

V. ZERO ADJUSTMENT..... 09

VI. OPERATING INSTRUCTIONS..... 09



**OHAUS CORPORATION RESERVES THE RIGHT TO MAKE REFINEMENTS OR
CHANGES WITHOUT NOTICE**

I. DESCRIPTION

The OHAUS D500M is as compact industrial scale designed to meet a variety of weighing needs where simplicity and low cost are a must.

The D500M features an easy to read flat beam with a shadow-proof poise providing quick reading under all lighting conditions. A positive beam lock secures the indicator when the scale is not in use.

This scale utilizes a rugged fabricated steel design and is equipped with phenolic wheels for easy portability. A stainless steel platform is available to tailor the scale to a specific application.

II. SPECIFICATIONS

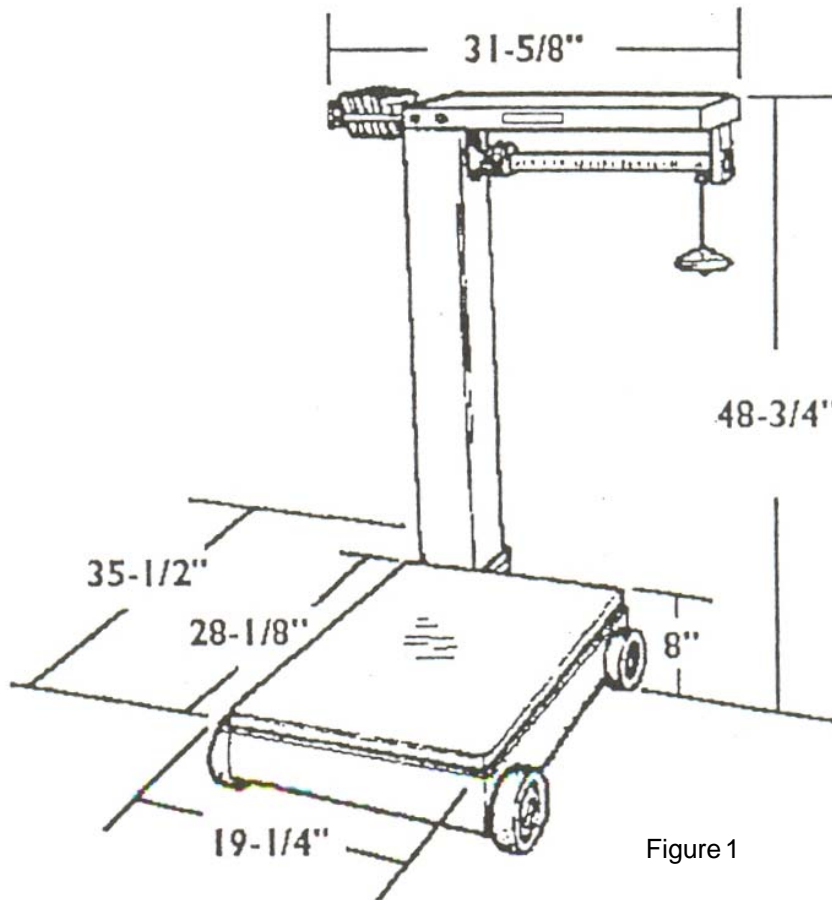


Figure 1

Available Beams	Counterpoise Weights (Included)	Total Capacity
100 lb x 8 oz	2 of 100 lb 1 of 200lb 1 of 500lb	1000 lb
Or		
50 kg x 200g	1 of 50 kg 2 of 100 kg 1 of 200 kg	500 kg

Combination beam: avoirdupois (front) and metric (back); includes both sets of counterpoise weights as listed above.

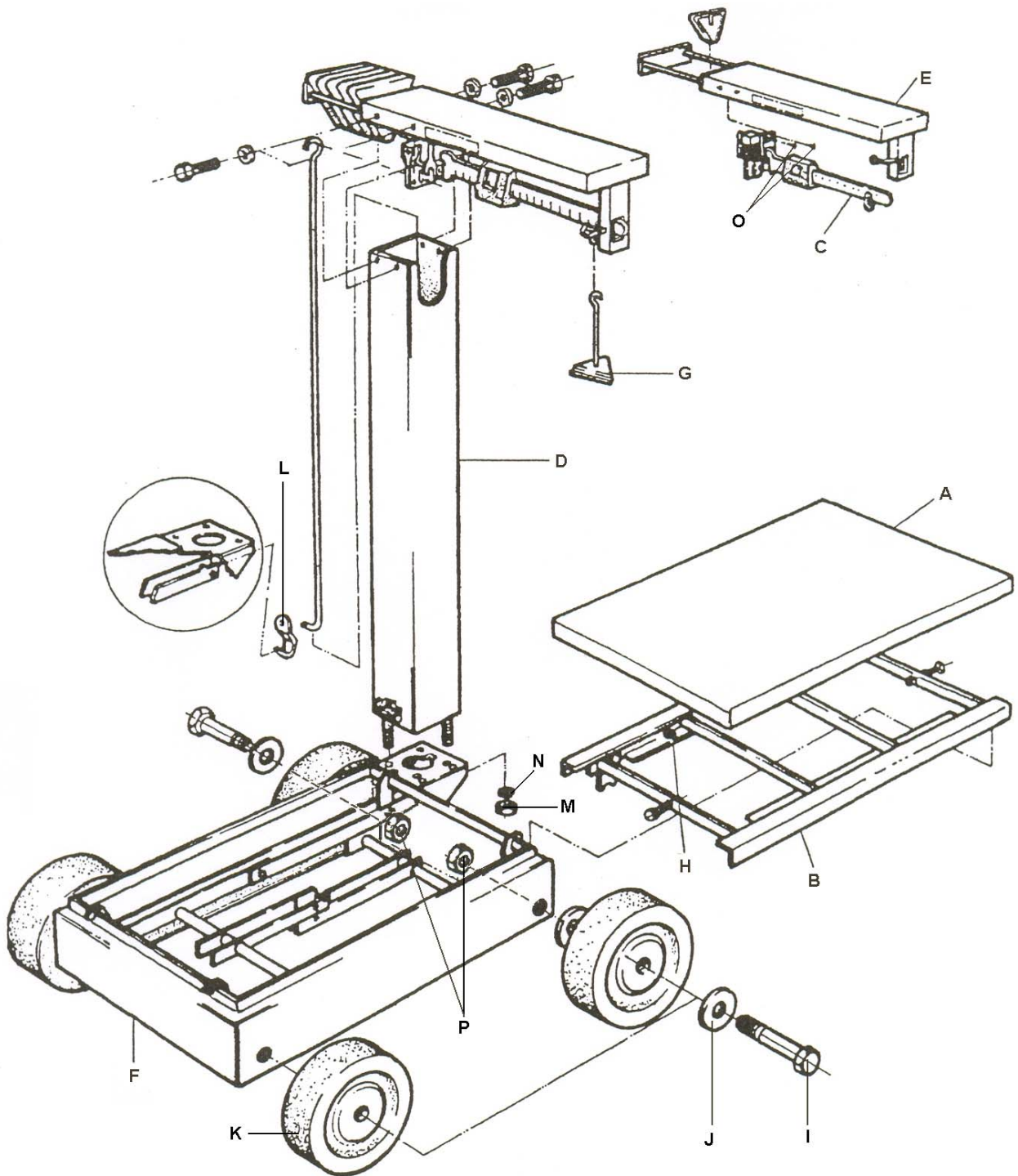


Figure 2

- A - Scale Platform
- B - Spider Assembly
- C - Beam Assembly
- D - Column
- E - Beam Shelf
- F - Scale Base
- G - Load Box Assembly
- H - Level Bubble

- I - Screw, 1/2-13 x 3/8
- J - Flat Washer
- K - Wheel
- L - Hook's Nose
- M - Nut, 3/8-16
- N - Lockwasher, 3/8
- O - Screw # 10-32 x 3/8
- P - Nut, 1/2-13

III. ASSEMBLY / INSTALLATION

(NOTE: Refer to the exploded view diagram, Figure 2, for assembly assistance).

A. Each D500M carton contains five individually packed items. These items are:

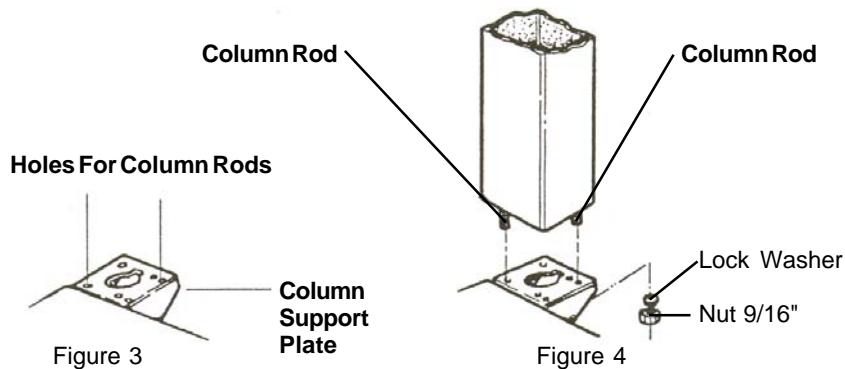
1. One scale base.
2. One fog white column, consisting of one foursided column piece, and one steelyard rod.
3. One charcoal black beam shelf.
4. One silver-colored graduated beam assembly. It is packed inside of the white fog column (item2).
5. One box of loose parts containing (in order of assembly):
 - a. four wheels.
 - b. four 1/2" axle bolts, each with one 3/8" nut and two washers, for the wheels.
 - c. two lock washers and two 3/8" nuts, to tighten the column to the column support plate.
 - d. one hook, to be hung on the steelyard rod.
 - e. four 1/4" hex head screws and four flat washers, to tighten the beam shelf to the column.
 - f. one triangular load box assembly.
 - g. one set of counterpoise weights as described in Section II of this manual (two sets of weights, on combination lb/kg versions).
 - h. two screw # 10-32 x 3/8.

B. for easy assembly the following tools are recommended:

- a. 3/4" socket and ratchet
- b. 3/4" open end wrench
- c. 7/8" open end wrench
- d. 9/16" open end wrench
- e. 9/16" deep socket and ratchet
- f. 1/4" slotted screwdriver
- g. 7/16" socket, box, or open end wrench

C. Following the steps below, assemble your D500M:

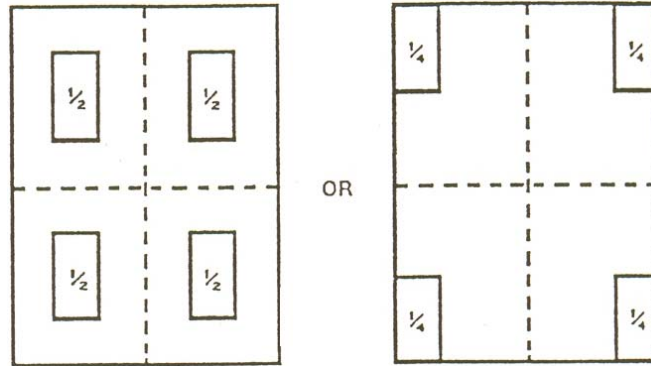
1. Remove the plastic wrapping from the scale base.
2. Remove the scale platform from the scale base and set it aside.
3. For reinstallation purpose, note the location of the level bubble (item H, figure 2) on the spider assembly. Also note the position of the two bolts in the center front and center back of the spider assembly. Lift out the spider assembly and place it off to the side
4. Remove any cardboard packing and bag of silica gel from inside the scale base.
5. Install each wheel in the following sequence:
 - a. Slide one flat washer onto the 1/2" axle bolt and slide the bolt through the black phenolic wheel.
 - b. Slide another flat washer onto the bolt.
 - c. Lifting the scale base the required distance (approximately 2-1/2"), insert the bolt through the hole in the scale base from the outside and screw the bolt through the nut that is welded to the inside of the scale base. Allow sufficient clearance for the wheel to tum freely.
 - d. From the inside of the scale base, add the nut onto the bolt.
 - e. Repeat these steps for the remaining three wheels.
 - f. Tighten all bolts and nuts for the wheel at this time.
6. Remove the packing around fog white column. Remove also the steelyard rod and the beam assembly from the inside of the column. Place the column piece onto the column support plate. Ohaus Label on the column must be facing the scale platform. From underneath the column support plate, install a lock washer and 3/8" nut onto the column roads and tighten.



IV. SHIFT (as needed)

A. TEST

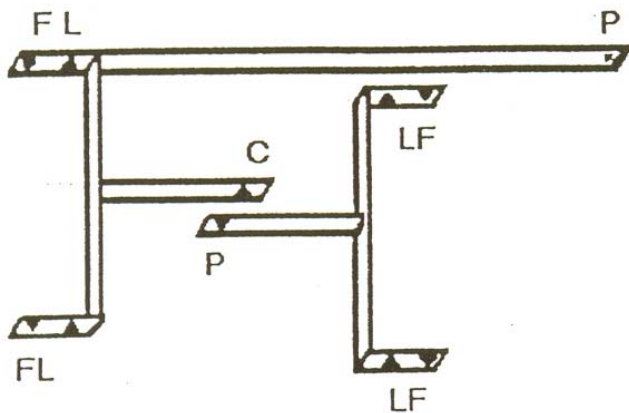
Place a half capacity test load in the center of each quarter of the platform, or use a quarter capacity test load over each load pivot successively.



If a correction is not needed, proceed to the operating instructions. In a mechanical base, shift refers to the pivot distances of the levers. If, on a lever, the distances are equal, then a lever is said to have no shift error. Also, two levers which have the same ratio will have no shift error.

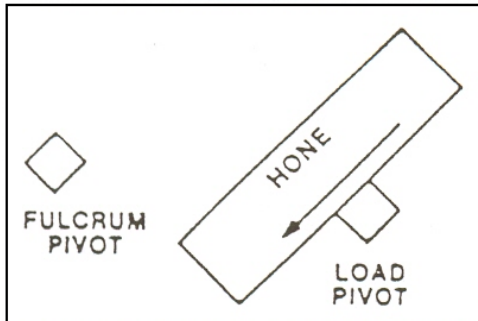
B. ADJUST

The lever illustration of the D500M designates the pivots as follows:



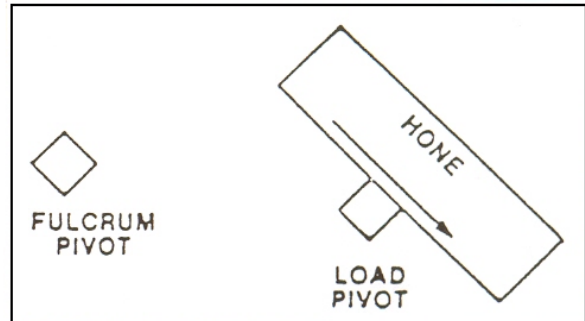
- F - Fulcrum Pivot
- L - Load Pivot
- P - Power Pivot
- C - Center Connection

The rule is to lengthen the distance between the fulcrum and the load pivots to increase the indication. Conversely, shorten the distance between the fulcrum and the load pivots to decrease the indication. Use hone part number 085061020 (fine) and part number 085062020 (coarse) to adjust the pivots.



TO LENGTHEN
THE DISTANCE

OR



TO SHORTEN
THE DISTANCE

Note the direction of honing. Always hone away from the load edge of the pivot.

1. Side to Side

To correct a shift error side on a lever, note the indication at each location, and hone the load pivot as needed to correct the side to side error on either lever. Hone only the load pivots to correct an error on either lever for a side to side correction.

2. Front to Back

When the indications on each load point of each lever are equal side to side and the indications of the levers are different front to back, then hone the power pivot of the short lever until the two levers are equal front to back. Do not hone the power pivot of the long lever. Increase the pivot distance from the power pivot to the fulcrum pivot on the short lever if the short lever has a higher indication than the long lever.

When the Shift error is corrected, recalibrate the scale and retest the shift. Continue calibration and shift test/adjustment until no shift error is found after the scale is calibrated.

V. ZERO ADJUSTMENT (as needed)

Check the zero balance by positioning the beam poise at "0" on the beam. Turn the locking lever to free the beam. The beam should float without touching the top bottom of the trig opening. If it touched the top, turn the zero adjustment screw (Figure 4) counter-clockwise with a screwdriver. Turn the screw clockwise until it is touching the bottom.

VI. OPERATING INSTRUCTIONS

A. SCALE OPERATION

The OHAUS D500M beam utilizes a balancing beam principle to indicate weight. With the scale loaded, slide the beam poise toward the trig loop (away from the column). Adjust the beam poise until the tip of the beam is in a balance state within the trig loop. The position of the beam poise indication (red pointer) on the beam will indicate the amount of weight on the scale platform.

NOTE: When operating the scale, use wedges at the two wheels to prevent the scale from moving.

B. INCREASING SCALE CAPACITY

The beam on the D500M provides weight indication up to 100 lb (50 kilograms) and is graduated by 8 ounces (200 grams). The beam will counter balance a maximum load of 100 lb (or 50 kilograms). To increase the capacity of the scale, simply place one or more of the additional counterpoise weights on the load box assembly. (For example, the avoirdupois D500M includes counterpoise weights, which are (2) 100 lb, (1) 200 lb, and (1) 500 lb). The additional counterpoise weights are stored in a rack attached to the column cap. Each weight is "notched" to fit the load box assembly. Counterpoise weights may be used separately or in combination. When using one more of the additional counterpoise weights to determine weight on the platform, adjust the beam poise until a balance state is achieved. The weight on the platform can be determined by adding the sum of the additional counterpoise weights on the load box assembly to the amount indicated on the beam.

Example: both additional 100 lb counterpoise weights are secured to the load box assembly. The beam poise is indicating "45 lb", and beam is balance in the trig loop; weight on the scale platform totals 245 lb.

C. FILLING OPERATIONS

When filling containers on the scale, adjust the beam poise to the desired target weight. Add additional counterpoise weights to the load box assembly if necessary.

A set screw is provided on the bottom of the beam poise to secure to the beam. To inhibit the beam poise from traveling on the beam (and changing the target weight), It is advisable to tighten the set screw. Fill container until the beam exhibits a balance condition indicating that the target weight has been achieved.

D. TRIG LOCKING MECHANISM

When moving the scale, it is recommended that the beam be locked in place to prevent damage. A locking mechanism is provided on the trig loop to inhibit vertical travel of the beam whenever the base is moved. The trig loop locking device must be disengaged when the scale is in use.



**For information in
U.S and Canada, contact:**

OHAUS Corporation
19A Chapin Road, P.O. Box 2033
Pine Brook, NJ 07058-2033, USA
Phone: +1-973-377-9000
Fax: +1-973-944-7177

www.ohaus.com

For information in other countries, contact the manufacturer:

TOLEDO DO BRASIL
INDÚSTRIA DE BALANÇAS LTDA.

R. Manoel Cremonesi, 1
Tel. 55 (11) 4356-9000
CEP 09851-330 - Jardim Belita - São Bernardo do Campo - SP - Brasil
site: www.toledobrasil.com.br
e-mail: exp@toledobrasil.com.br

P/N 80252764 © OHAUS Corporation 2008, all rights reserved

80252764

Printed in Brazil